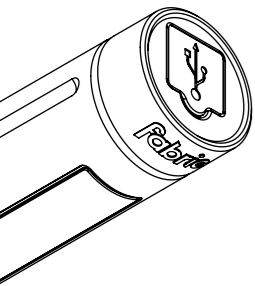
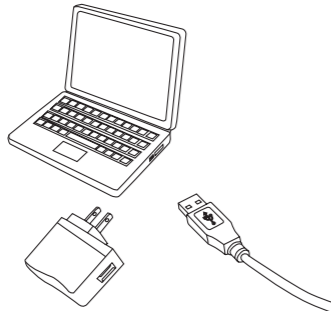


Charging time: 5hrs



**Fully charge
light before
use**



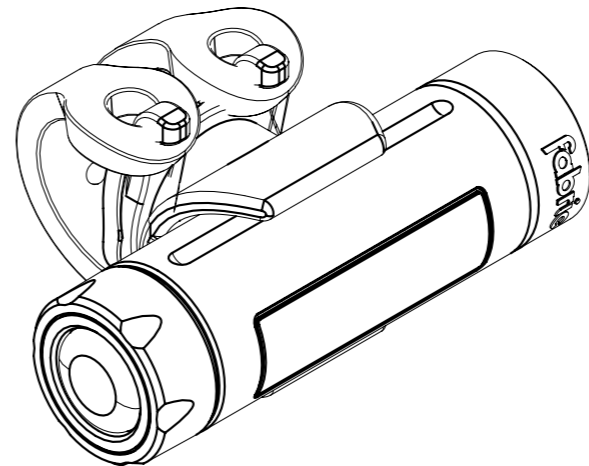
Charging

1. Make sure light is turned OFF
2. Connect the light to your PC via the USB cable or charge it via a wall outlet with a 5V USB adaptor (not included).

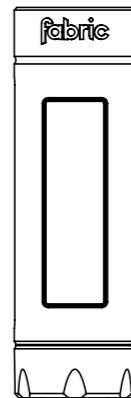
The light button glows red during charging, and turns off when fully charged.
The on button will glow red to warn you when only 15% of charge remains.

fabric®

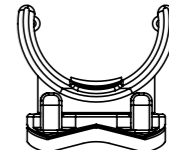
LUMASENSE (FRONT) USER START GUIDE



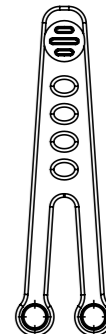
What's in the box?



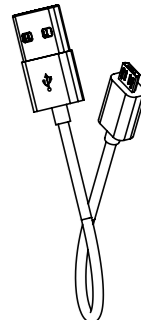
1x light



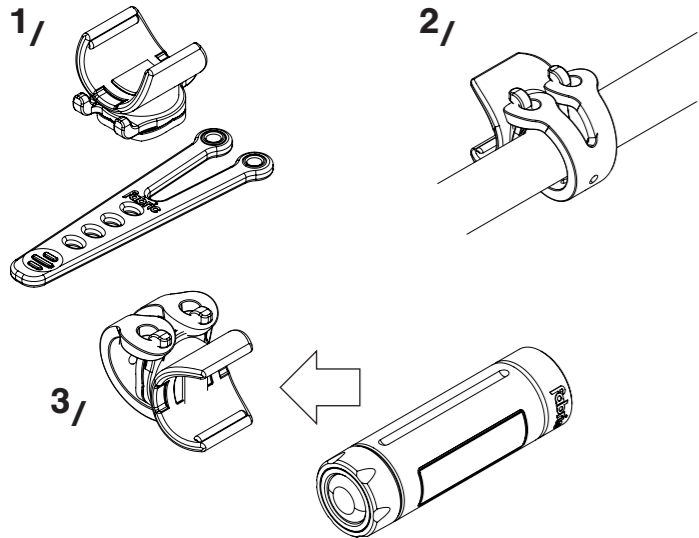
1x mount



1x strap

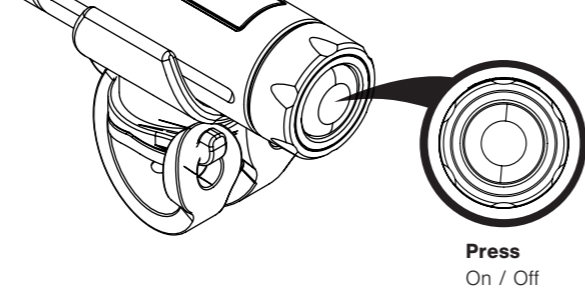


1x USB cable



Assembly

The Lumasense is ready to go. To assemble, place the rubber base of the mount on bar. Attach two ends of the rubber strap to two prongs on side of mount. Stretch the remaining end of the strap to the remaining prong. Click the light securely into the rubber mount.



Press
On / Off



On / Off / Function

Press	⏻
x 1	Turn on / Full power
x 2	Med power / Longer burn time
x 3	Fast flash / Increase burn time
x 4	Flash / Maximum burn time
x 5	Turn off

Led type	White
Output lumen	Full – 30 lumen Med – 10 lumen Fast flash – 10HZ Flash – 3HZ
Light angle	50-60 degrees
Run time	Full – 3.5hrs Med – 6hrs Fast flash – 8.5hrs Flash – 10hrs
Battery type	3.7V, 650 mAh Lithium polymer battery

Battery indicator	Red indicator on the rear when battery is below 15%
Charging	Micro USB charging
Charging indicator	The button glows red during charging, and turns off when fully charged.
Waterproof level	IPX5
Drop test	1 Metre
Switch	On the rear
Certifications	CE, ROHS

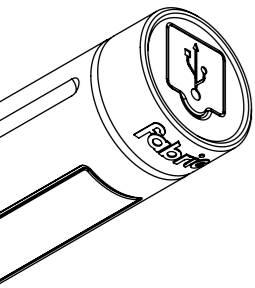
Warning

Store device in a cool dry place.
Do not shine directly into the eyes.
Keep out of reach of children or pets.
Do not short- circuit the charger or the battery.
Do not use or handle the device while charging.
Never crush or puncture the battery.
Never place the battery or device on, or in, heating units.
Do not dispose of battery or device in a fire.
Fully charge the light/battery before use if not used for over 3 months.

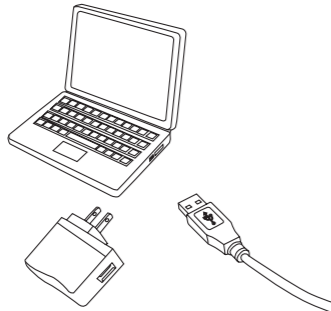
Warranty

Fabric product is covered by a warranty of ONE YEAR commencing at date of purchasing from an authorized Fabric dealer. This warranty does not cover faults caused by deliberate damage, violent impact or unauthorized dismantling. Warranty service should only be undertaken by your retailer and from there, the distributor in your region. If you attempt to repair or modify the product by yourself, it will not be covered by warranty. Prior to returning, please contact your Fabric Authorized Service Provider (place of purchase). All returned products must be packed carefully. Please enclose the warranty certificate (Proof of purchase) together with a detailed description of your claim.

Charging time: 5hrs



**Fully charge
light before
use**



Charging

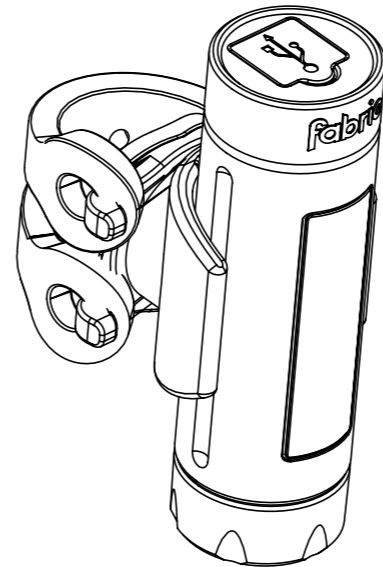
1. Make sure light is turned OFF
2. Connect the light to your PC via the USB cable or charge it via a wall outlet with a 5V USB adaptor (not included).

The light button glows red during charging, and turns off when fully charged.
The on button will glow red to warn you when only 15% of charge remains.

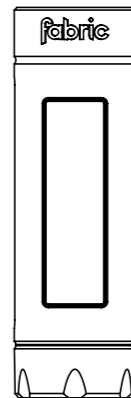
fabric®

fabric.cc/user-guides

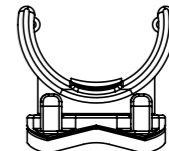
LUMASENSE (REAR) USER START GUIDE



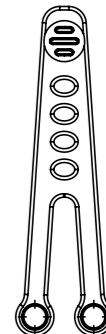
What's in the box?



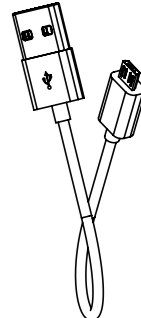
1x light



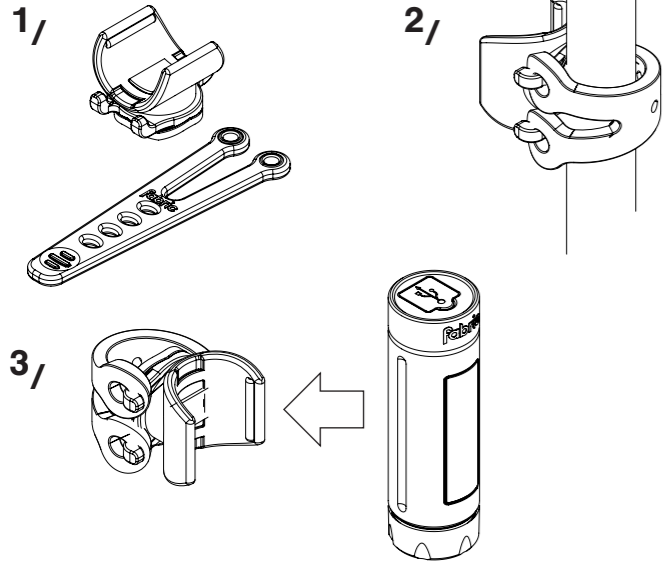
1x mount



1x strap

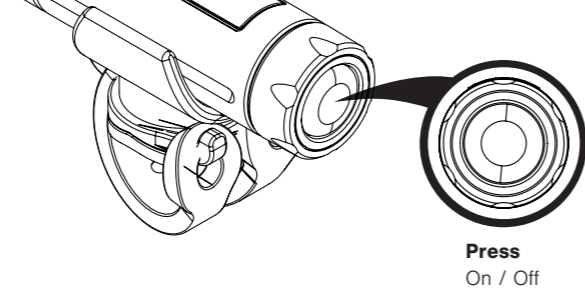


1x USB cable




Assembly

The Lumasense is ready to go. To assemble, place the rubber base of the mount on seatpost. Attach two ends of the rubber strap to two prongs on side of mount. Stretch the remaining end of the strap to the remaining prong. Click the light securely into the rubber mount.




On / Off / Function

	
Press	
x 1	Turn on / Full power
x 2	Med power / Longer burn time
x 3	Fast flash / Increase burn time
x 4	Flash / Maximum burn time
x 5	Turn off

All riding modes utilise the accelerometer brake function.

Led type	Red
Output lumen	Full – 30 lumen Med – 10 lumen Fast flash – 10HZ Flash – 3HZ
Light angle	50-60 degrees
Run time	Full – 8hrs Med – 9 hrs Fast flash – 8hrs Flash – 9hrs
Battery type	3.7V, 650 mAh Lithium polymer battery

Battery indicator	Red indicator will glow when battery is below 15%
Charging	Micro USB charging
Charging indicator	The button glows red during charging, and turns off when fully charged.
Waterproof level	IPX5
Drop test	1 Metre
Switch	On the rear
Certifications	CE, ROHS

Warning

Store device in a cool dry area.
Do not shine directly into the eyes.
Keep out of reach of children or pets.
Do not short- circuit the charger or the battery.
Do not use or handle the device while charging.
Never crush or puncture the battery.
Never place the battery or device on, or in, heating units.
Do not dispose of battery or device in a fire.
Fully charge the light/battery before use if not used for over 3 months.

Warranty

Fabric product is covered by a warranty of ONE YEAR commencing at date of purchasing from an authorized Fabric dealer. This warranty does not cover faults caused by deliberate damage, violent impact or unauthorized dismantling. Warranty service should only be undertaken by your retailer and from there, the distributor in your region. If you attempt to repair or modify the product by yourself, it will not be covered by warranty. Prior to returning, please contact your Fabric Authorized Service Provider (place of purchase). All returned products must be packed carefully. Please enclose the warranty certificate (Proof of purchase) together with a detailed description of your claim.